

MODEL	F6 2320	F6 2520	F6 2720	F6 2920	F6 3120	F6 3320	F6 3520	F6 3720	F6 3920
Size in mm	Topplate: L: 2320mm D: 215mm Bottom box: L: 600mm H: 160mm incl. topplate D: 190mm	Topplate: L: 2520mm D: 215mm Bottom box: L: 700mm H: 160mm incl. topplate D: 190mm	Topplate: L: 2720mm D: 215mm Bottom box: L: 900mm H: 160mm incl. topplate D: 190mm	Topplate: L: 2920mm D: 215mm Bottom box: L: 1300mm H: 160mm incl. topplate D: 190mm	Topplate: L: 3120mm D: 215mm Bottom box: L: 1300mm H: 160mm incl. topplate D: 190mm	Topplate: L: 3320mm D: 215mm Bottom box: L: 1500mm H: 160mm incl. topplate D: 190mm	Topplate: L: 3520mm D: 215mm Bottom box: L: 1700mm H: 160mm incl. topplate D: 190mm	Topplate: L: 3720mm D: 215mm Bottom box: L: 1900mm H: 160mm incl. topplate D: 190mm	Topplate: L: 3920mm D: 215mm Bottom box: L: 1900mm H: 160mm incl. topplate D: 190mm
Flame tray size, mm	2100	2300	2500	2700	2900	3100	3300	3500	3700
Capacity, liters	15L	16.4L	17.7L	19L	20.3L	21.6	23L	24.3L	25.6L
Burning time, hours	6.5 - 18.5	6.5 - 17.5	6.5 - 17.5	6.5 - 17.5	6.5 - 17.5	6.5 - 17.0	6.5 - 17.0	6.5 - 17.0	6.5 - 17.0
Heat output, kWh	4.9 - 13.4	5.3 - 14.7	5.8 - 16.0	6.3 - 17.2	6.7 - 18.5	7.2 - 19.4	7.7 - 21.1	8.1 - 23.3	8.6 - 23.6
Net weight, kg	33	35	37	39	41	43	45	47	49
Min. room size, m ²	96	105	14	123	132	141	150	160	169

GENERAL INFORMATION

Produced in	Denmark
Flame levels	5 flamelevels + ECO Wave
Sensors	Temperature/Fuel Level/Spillage
Powersupply	230 V
Fuel Type	Bioethanol 95 - 96.5 %
Flue	Not required
No internal pump	No noise, reduced maintenance, increased reliability
Finish	Black powder-coating
Finish top-plate	2mm black powder-coated steel
Glass	Tempered glass, T6mm H70mm The glass is placed in customised glassholders
Application	Indoor use only

Decoflame's Denver F6 bio-burner ranges from 620 mm to 3920 mm in length. Developed and manufactured locally, these burners offer exceptional flexibility for any project size. The Denver F6, designed by Decoflame's expert engineers, is a groundbreaking innovation in modern fireplaces. Equipped with patented BEV (Burning Ethanol Vapours) technology, it represents the pinnacle of luxurious supplementary heating solutions.

Denver F6 impresses with advanced features, including app control, Bluetooth connectivity, and sophisticated safety systems. Additionally, it offers SmartHome integration and an external automated refuelling tank system, ensuring seamless and efficient operation.

BIOETHANOL

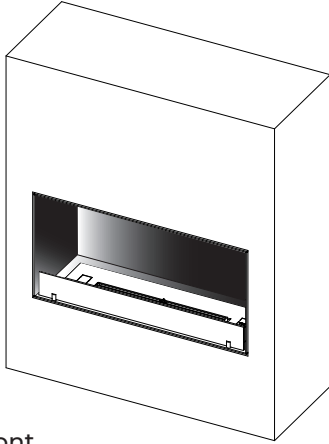
For use and information about bioethanol, please visit: decoflame.com.

Please be aware that bioethanol is essential to a proper use and guarantee of your product.

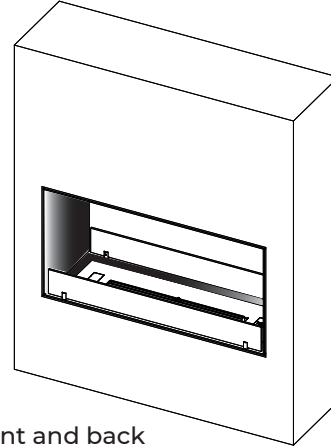
Subject to typing errors, typos and technical faults, production- and product tolerances.

Decoflame ApS reserves the right to make changes without notice. We refer to Decoflame's Ordinary Terms and Conditions.

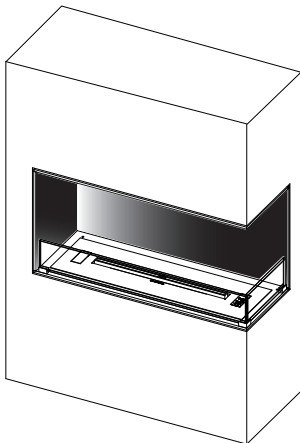
DENVER F6 CAN BE INSTALLED IN
VARIOUS CONSTRUCTION OPTIONS. EG:



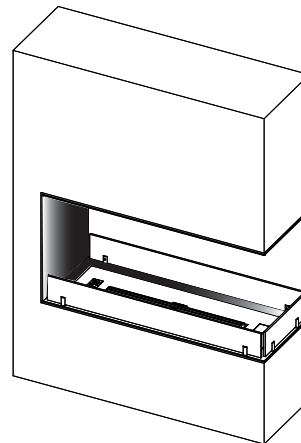
Open to front



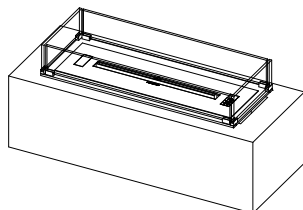
Open to front and back



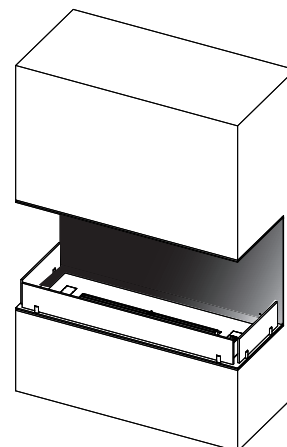
Open to front and 1 side (Left or right)



Open to front, back and 1 side (Left or right)



Single standing



Open to front and 2 sides